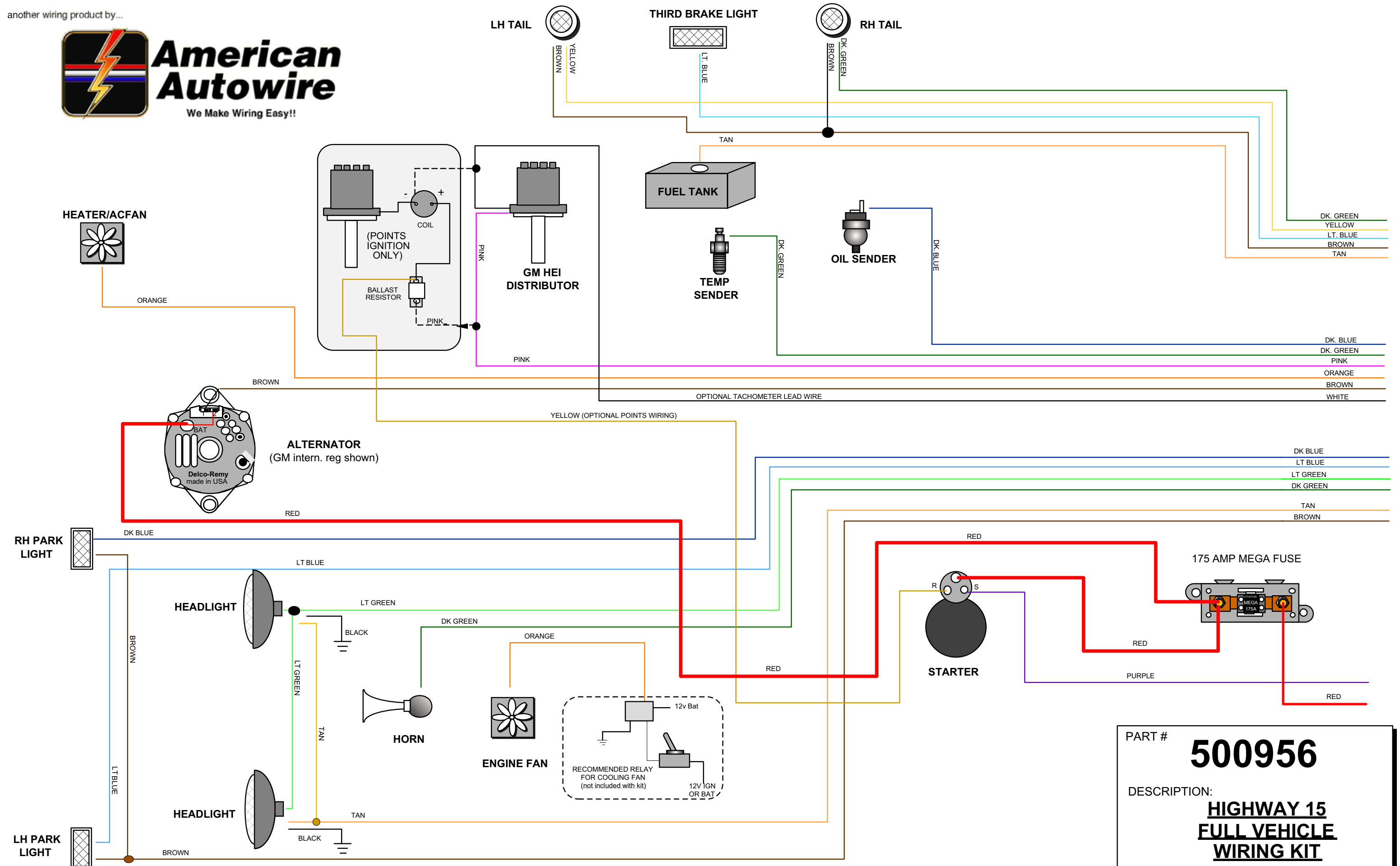




# American Autowire

We Make Wiring Easy!!



PART # **500956**

DESCRIPTION: **HIGHWAY 15 FULL VEHICLE WIRING KIT**

92968091 Instruction Sheet Rev. 0.0 4/27/2007

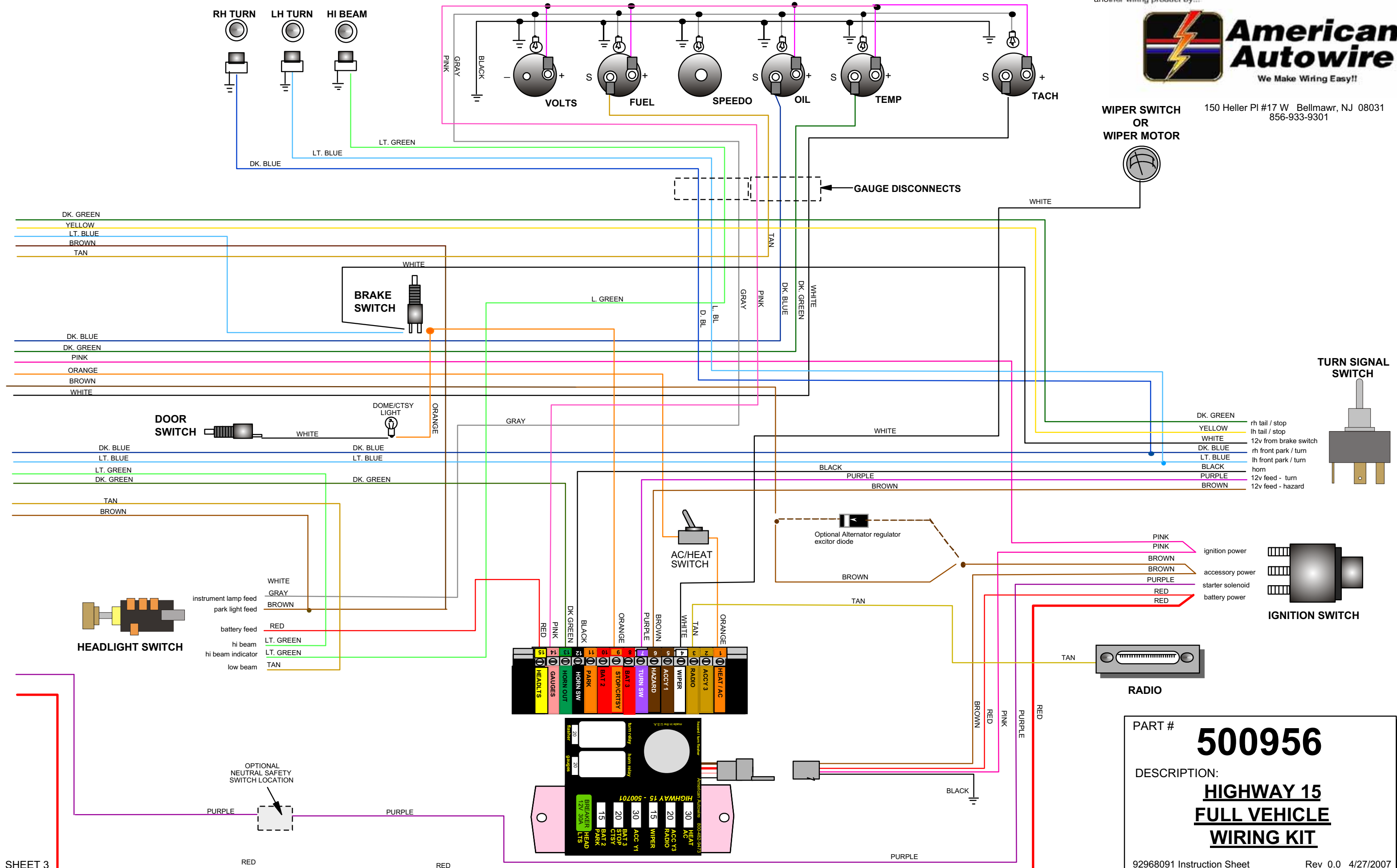
another wiring product by...



# American Autowire

We Make Wiring Easy!!

150 Heller Pl #17 W Bellmawr, NJ 08031  
856-933-9301



WIPER SWITCH OR WIPER MOTOR

TURN SIGNAL SWITCH

- DK. GREEN rh tail / stop
- YELLOW lh tail / stop
- WHITE 12v from brake switch
- DK. BLUE rh front park / turn
- LT. BLUE lh front park / turn
- BLACK horn
- PURPLE 12v feed - turn
- BROWN 12v feed - hazard

- PINK ignition power
- PINK accessory power
- BROWN starter solenoid
- PURPLE battery power
- RED
- RED

IGNITION SWITCH

RADIO

PART # **500956**

DESCRIPTION: **HIGHWAY 15 FULL VEHICLE WIRING KIT**

100% MADE IN U.S.A.!

another wiring product by...



# American Autowire

We Make Wiring Easy!!

## INSTALLATION INSTRUCTIONS

This wiring kit is designed for ease of installation. Please read the guidelines below, BEFORE STARTING your installation, to guarantee a successful job!

### STEP 1: DISCONNECT YOUR BATTERY:

Disconnect the battery before installing the wiring kit to prevent any accidental shorting caused by loose bare wire ends.

### STEP 2: MOUNT YOUR PANEL:

It is recommended that you mount your panel under the dash, in the kick panel, or under the front seat.

### STEP 3: START INSTALLING KIT:

This kit is broken down into individual steps that are identified by a letter printed on the instruction sheets visible through each bag. These letters are the order of operation for installing your kit. Start with the bag letter "A", then "B", etc. The order of installation is shown below.

A	500718	Ignition Switch and Starter Wiring Kit
B	500699	Alternator Connection Kit
C	500953	Headlight / Accessory Switch Kit
D	500954	Steering Column / Turn Signal Connection Kit
E	500353	Gauge Connection Kit (Sending Unit Side)
F	500354	Accessory Wire Kit

### STEP 4: RECONNECT YOUR BATTERY:

When you have completed the installation and are ready to reconnect the battery, make sure that the following electrical system grounds are in place:

- A. Battery is grounded to the ENGINE BLOCK.
- B. Battery is grounded to the frame.
- C. Engine block is grounded to the frame.
- D. Body is grounded to the frame.

### STEP 5: CHECK ALL ELECTRICAL FUNCTIONS:

Any non-functioning items should be checked for proper installation. Any problems with your wiring and electrical circuit functions should be addressed to American Autowire Systems, Inc. as soon as possible to avoid any warranty problems.

If you have any questions concerning this or any of our products, please feel free to call us at 1-800-482-WIRE.

**"AMERICAN AUTOWIRE MAKES IT EASY !!"**

We offer many accessories for your project! Feel free to call and ask for any electrical accessory. Shown below are just a few examples!



compact ground splice system



many brake switches available



crimping tools



firewall disconnects  
(4,6,8, & 9 wire applications)



many relay kits available



courtesy lamp kit available

also available...turn signal switches, battery disconnect switch, battery junction blocks, battery cables LED's, grommets, connectors, terminals, and more !

# START HERE !!

PART #

## 500956

DESCRIPTION:

**HIGHWAY 15**  
**FULL VEHICLE**  
**WIRING KIT**

92968091 Instruction Sheet

Rev 0.0 4/27/2007